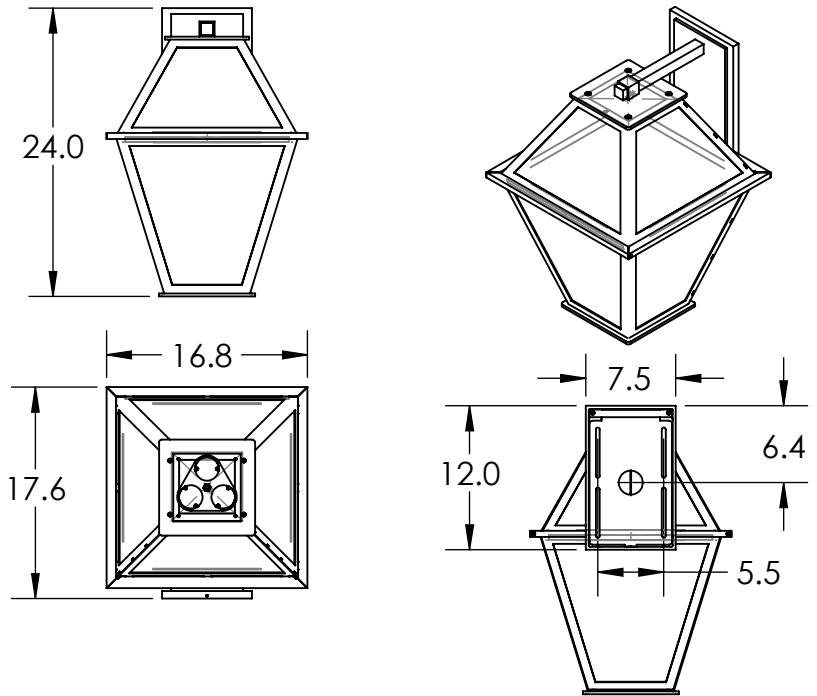


All dimensions are shown in inches unless otherwise stated.



Mounting Method: Mounts To Building Structure

PRODUCT DESCRIPTION

A classic look that suits a broad range of transitional and traditional architectural styles, this oversized sconce design features a metal outer frame with frosted seeded glass and AC LED lamping. It is offered in three AAMA 2604-rated finishes and includes a lifetime warranty to the original purchaser.

PRODUCT SPECIFICATION

Construction: Aluminum Body With Glass Panes

Finish Options: **AG** **SB** **TB**

Glass Types: **F**

Suspension Method: Wall Mount

Weight(lbs.): 30

UL Rating: Wet

Top Diffuser: Closed Metal

Bottom Diffuser: Open

Light Source: LED

Electrical Qty: 3

Wattage (Watts): 13.5

Voltage (Volts): 120

Source Lumens: 1200

Dimming: ELV to 1%

CCT: 3000K

Driver Quantity & Location: 0

CRI: 93+

Power Factor: >0.9

SCAN FOR MORE INFORMATION

Notes:

GENERAL NOTES:

Visit studio.hammerton.com to read about our Lifetime Limited Warranty.

All Hammerton fixtures are handcrafted by artisans. Subtle imperfections reflect the mark of the artisan and should be expected in any handcrafted product. Dimensions may vary up to 7/8".

Rev **B** 6/21/2021